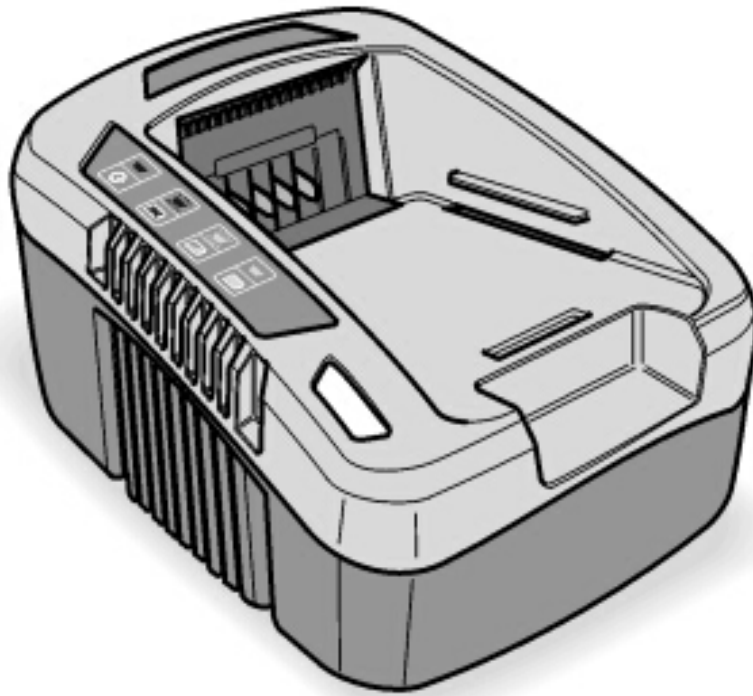




redback

120V Lithium Ion Battery Charger



MODEL #106509

Operation Manual



This safety alert symbol identifies important safety messages in this manual. Failure to follow this important safety information may result in serious injury or death.

Part # 106664 Rev A



For Service or Questions

Call 1-877-487-8275

720-287-5182

www.redbackpowerusa.com

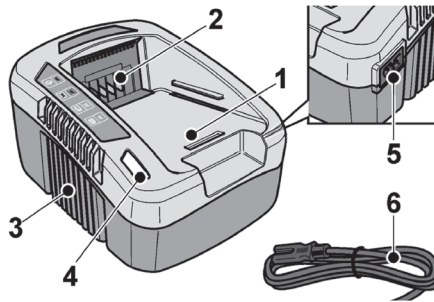
Redback products are distributed by



FrictionlessWorld®

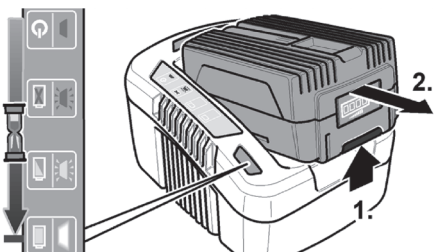
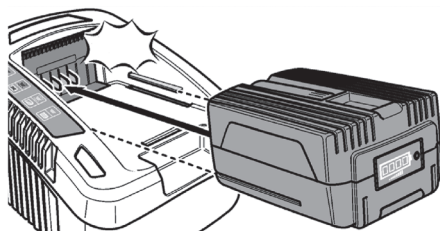
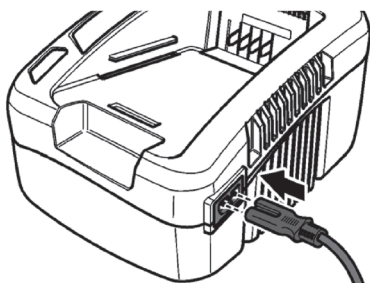
1100 W 120th Ave, Suite 600
Westminster, CO 80234 • 720-287-5182

Operation



Charger Components

1. Slot for battery
2. Contacts
3. Ventilation slots
4. LED (charge status/fault messages)
5. Socket
6. Power cord



This charger can be used with an input voltage of 100-250V and an AC frequency of 50-60 Hz. To avoid the risk of damage and injury, only use the charger to recharge Redback 120V battery packs. Never try to recharge non-rechargeable batteries.



WARNING

If the charger is plugged in and no LED lights are illuminated, check that the power cord is firmly plugged into the side of the charger and that the electrical outlet is live, by testing with a different electrical appliance. If the charger still does not illuminate, **do not use the charger**, and check an authorized service center.

Status indicator lights

The LED light indicates the operating status and the state of charge of the battery.

LED steady red – the charger is ready to charge, but no battery is connected

LED flashes green. Battery is charging.

LED steady green: The battery is fully charged and should be removed.

LED flashes red: battery fault or overheat.

Charging the battery

Plug the charger into an AC outlet 100-250V (normal household voltage). Insert the battery into the slots of the charger and slide into place until the battery locks into place. The LED will flash green while the battery is charging. Once the battery is fully charged, the LED indicator will show a steady green light. Remove the battery by pressing and holding the latch button and sliding it out of the charger. Do not leave the battery on the charger. Remove it when it is fully charged. Lithium Ion batteries have no memory effect – a partial charge will not damage your battery

Storage of the charger and battery

For long-term storage (more than 1 month), it is preferable that the battery is fully charged and stored in a dry place at a temperature between 50° - 77°F (10–25 °C).

The charger should be stored in the same conditions as the battery, taking care that no foreign objects such as metal chips enter through the ventilation slots of the charger. Ensure that the battery is stored away from anything that might short out the power connectors on the battery.



redback

Warranty & Specifications

IMPORTANT NOTICE

We, the manufacturer, reserve the right to change the product and/or specifications in this manual without notification. The manual is for information usage only and the pictures and drawings depicted herein are for reference only.

Warranty Repair and Service

Do not return this product to the store for warranty issues or repair. Call our customer service department at **720-287-5182**, **1-877-487-8275**, or visit **www.redbackpowerusa.com** for the location of the nearest service center.

Record the information below for future reference.

Model No. _____


Serial No. _____

Date of Purchase _____

Place of Purchase _____

SKU/Part No.	106509
Description	120V Lithium Ion Battery Charger
Input Voltage	100-130V AC
Output Current	1.0A (max)
Output Voltage	126V
Input Frequency	50-60Hz
Battery (106495) Charge Time	210 Minutes (2.0Ah), 140 Minutes (3.0Ah)
Warranty	1-Year Limited Warranty
Shipping Weight	3.1 Lbs



Redback products are distributed by
 **FrictionlessWorld**[®]
1100 W 120th Ave., Suite 600
Westminster, CO 80234 • 720-287-5182

For Service or Questions
Call 1-877-487-8275
720-287-5182
www.redbackpowerusa.com